



| Power Output Ratings | | 50 Hz / 400 V |
|----------------------|-----|---------------|
| Standby Power (ESP) | kVA | 82 |
| | kW | 66 |
| Prime Power (PRP) | kVA | 75 |
| | kW | 60 |

| Standby Power (ESP) | | | |
|--------------------------------|--------|------------------|------|
| Manufacturer | | PERKINS | |
| Model | | 1104A-44TG2 | |
| No of Cylinder / Configuration | | 4 - INLINE | |
| Displacement | lt | 4,4 | |
| Bore / Stroke | mm | 105 / 127 | |
| Compression Ratio | | 17,25:1 | |
| Aspiration | | Turbocharged | |
| Governor Type | | MECHANIC | |
| Cooling System | | WATER | |
| Coolant Capacity | lt | 13 | |
| Lubrication Oil Capacity | lt | 8 | |
| Electrical System | VDC | 12 | |
| Speed / Frequency | | 1500 rpm / 50 Hz | |
| Engine Gross Power | kWm | 80,7 | |
| Fuel Consumption | lt/h | 110 % | 20,5 |
| | | 100 % | 18,7 |
| | | 75 % | 14 |
| | | 50 % | 9,7 |
| Exhaust Outlet Temperature | °C | 580 | |
| Exhaust Gas Flow | m³/min | 13,3 | |
| Combustion Air Flow | m³/min | 5,14 | |
| Cooling Air Flow | m³/min | 89 | |



Standby Power

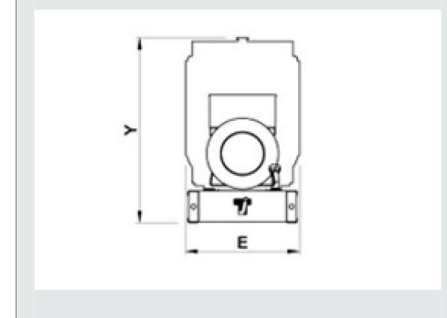
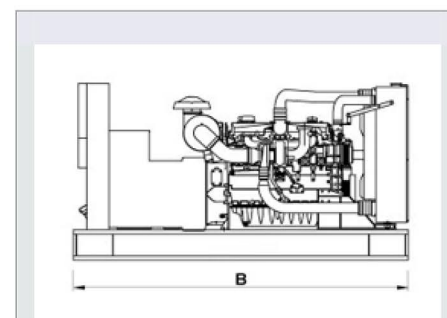
Standby power is defined as the maximum power available during a variable electrical power sequence, under the stated operating conditions, for which a generating set is capable of delivering in the event of a utility power outage or under test conditions for up to 500 hours of operation per year under average of 70% load. Overloading is not permissible.

Prime Power

Prime power is defined as being the maximum power which a generating set is capable of delivering continuously whilst supplying a variable electrical load. Average load should be 70%. The generator can be overloaded 10% for 1 hour per 12 hours.

| Alternator | | |
|------------------------------------|-----|--|
| Manufacturer | | MARELLI |
| Model | | MJB200MB4 |
| No of Phase | | 3 |
| Power Factor | | 0,8 |
| No of Bearing | | SINGLE |
| No of Poles | | 4 |
| No of Leads | | 12 |
| Voltage Regulation (Steady State) | | ± %1 |
| Insulation Class | | H |
| Degree of Protection | | IP 23 |
| Excitation System | | AVR (Automatic Voltage Regulator), Brushless |
| Connection Type | | STAR |
| Total Harmonic Content (No Load) | | < %2 |
| Frequency | Hz | 50 |
| Voltage Output | VAC | 230 / 400 |
| Rated Power (Standby) | kVA | 82 |
| Efficiency | % | 90,5 |

| | W x L x H (mm) | Weight (kg) | Fuel Tank (lt) | Noise dB(A) @ 1m |
|-----------|-------------------|-------------|----------------|------------------|
| Canopied | 950 x 2650 x 1450 | TBA | 160 | 76 |
| Open Skid | 950 x 2000 x 1230 | TBA | 160 | TBA |



- Technical information and values are according to ISO8528, ISO3046, NEMA MG-1.22, IEC 60034-1, BS 4999-5000, VDE 0530 standards.
 - Producing with ISO9001, ISO14001, OHSAS18001, TSE, CE standards.
 - All information given in this leaflet is intended for general purposes only. Due to a policy continuous improvement N & P reserves the right to amend details and specifications without notice and all information given is subject to the Teksan's current condition of sales.

TBA: To Be Ask

TBD: To Be Determined

NA: Not Available

N/A: Not Applicable

TTD82PE5A0414-EN

